

092 Barometer Pressure Sensor

The 092 Barometric Pressure Sensor measures absolute atmospheric pressure and converts it into a linear, proportional voltage, using digital computer technology.

The 092 features robust, low maintenance construction that will withstand a wide-range of adverse weather conditions, and consistently collects reliable barometric pressure data. The standard range of the 092 is 600 to 1100 hPa, which makes it suitable for elevations sea level to 10,000 ft. Other ranges can be configured with DIP switches on the board of the barometer. The digital range is always 600 to 1100 hPa.

Features

- Compact size
- Weatherproof enclosure
- Digital and analog outputs
- Permanent calibration; no service required
- Customer configured output



Applications

- Ambient Air Monitoring
- Environmental Surveys
- Government Networks

Performance Characteristics

Range:	600 to 1100 hPa (17.72 to 32.48 inch/hg)
Elevation:	Sea level to 10,000 ft. (3048 m)
Resolution:	0.1 hPa
Temp. Operating Range: Temp.	-40°C to 55°C (-40°F to 131°F)
Compensated Range:	-40°C to 55°C (-40°F to 131°F)
Operating RH:	0-100%
Accuracy:	±0.35 hPa @ 20°C (68°F) ±1.0 hPa (±0.03 in Hg) over full range or ±0.5 hPa over any 200 hPa range
Long Term Stability:	±1.0 hPa in 1 year

Electrical Characteristics

Analog Output:	0-1, 0-2, 0-2.5 or 0-5 VDC (Analog output automatically adjusts from zero to full scale for range selected.)
Digital Output:	RS-232, RS-485 & SDI-12
Digital Protocol:	ASCII Terminal Mode RTU for RS-232 and RS-485.
Baud Rates:	1200, 2400, 4800, 9600, & 19.2K
Power Requirement:	10 mA @ 12 VDC, Typical
Power Range:	6-16 VDC

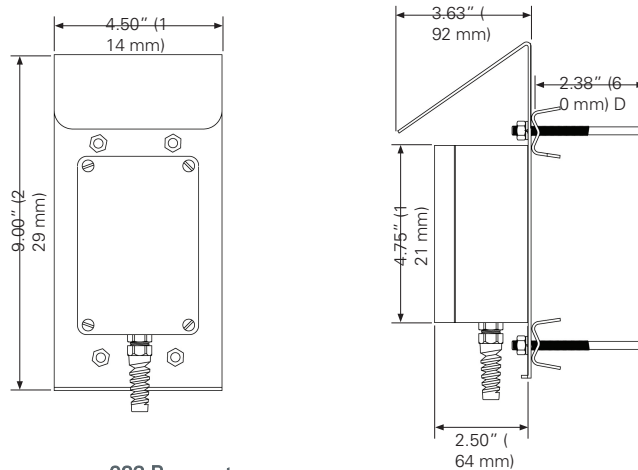
Physical Characteristics

Weight:	8.8 oz. (250 g)
Dimensions:	4.72x3.14x2.16in(120x80x55mm)

Cable

P/N 1169:	Cable Assembly; specify length in feet or meters P/N 191
Mounting:	"U"-Bolt adapts to several pipe sizes

Specifications are subject to change at any time.



**092 Barometer
Pressure Sensor**